

Technical Information

Table 17 Specifications

| | |
|--|--|
| Model | TriScroll™ 600 Series Dry Scroll Vacuum Pump |
| Interface dimensions | See Figure 1 |
| Peak pumping speed | 50 Hz: 420 l/m, 25.2 m ³ /hr (14.8 cfm) 60 Hz: 500 l/m, 30 m ³ /hr (17.7 cfm) |
| Media | Clean air. No toxic, corrosive, explosive or particulate forming gases |
| Ultimate pressure (Torr) | 7.0 x 10 ⁻³ Torr (9.3 x 10 ⁻³ mbar) |
| Maximum inlet pressure | 1.0 atmosphere (0 psig) |
| Maximum outlet pressure | 1.1 atmosphere (1.5 psig) |
| Inlet connection | NW40 |
| Exhaust connection | Female 3/8" National Pipe Thread (NW25 adapter provided) |
| Gas ballast | Female 1/4" National Pipe Thread (40 Micron sintered filter provided) |
| Ambient operating temperature | 5 °C to 40 °C (41 °F to 104 °F) |
| Storage temperature | -20 °C to 60 °C (-4 °F to 140 °F) |
| Motor rating | 1.0 HP (0.76 kW) |
| Operating voltages | Single phase models: <input type="checkbox"/> 50-60 Hz/100-115:200-230 VAC Three phase models: <input type="checkbox"/> 50 Hz/200-230:380-415 VAC <input type="checkbox"/> 60 Hz/200-230:460 VAC |
| Motor full load currents | See Table 18 on page 36 |
| Motor thermal protection | Type U automatic |
| Operating speed | 60 Hz: 1725 RPM, 50 Hz: 1425 RPM |
| Cooling system | Air-cooled |
| Weight | Pump only: 32 kg (70 lbs) Shipping weight: 40 kg (87 lbs) |
| Noise level (per ISO 11201) | 68 dB(A) |
| Vibration level at inlet (per ISO 10816-1) | 6.3 mm/sec |

TriScroll 600 Series Vacuum Pump

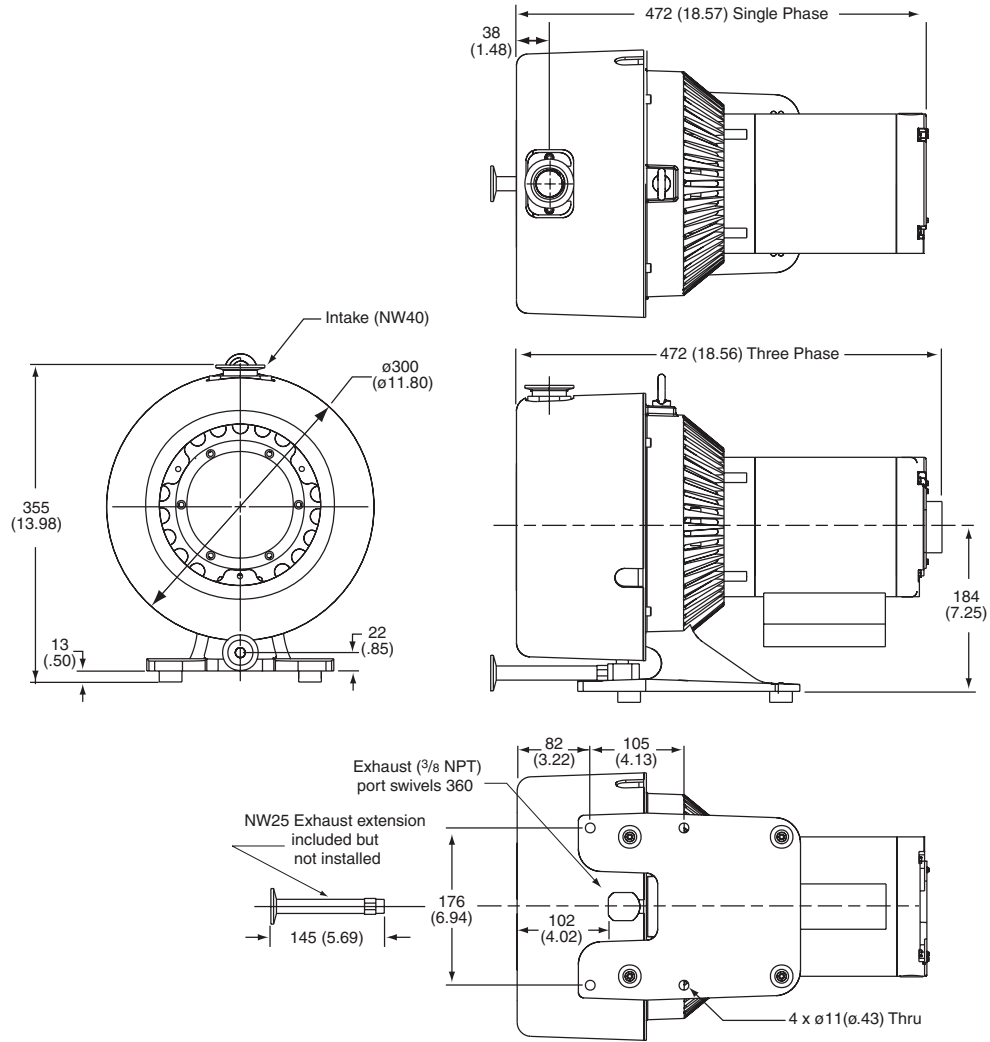


Figure 1 Interface Drawing with Dimensions

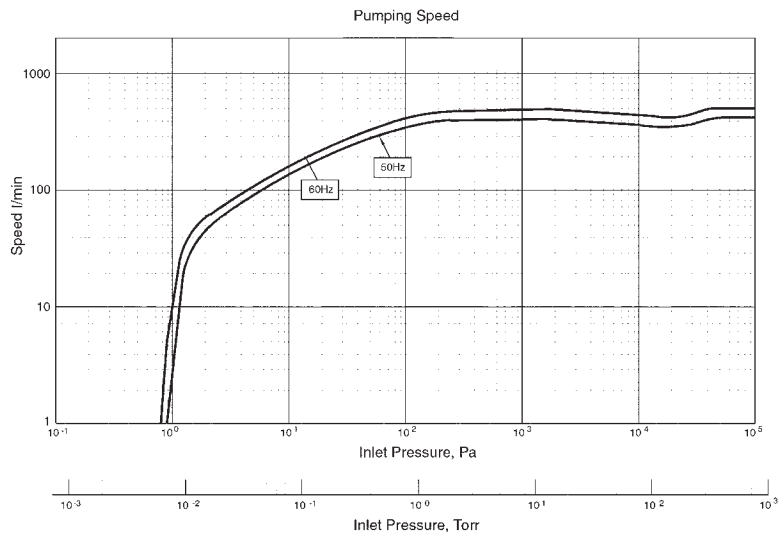
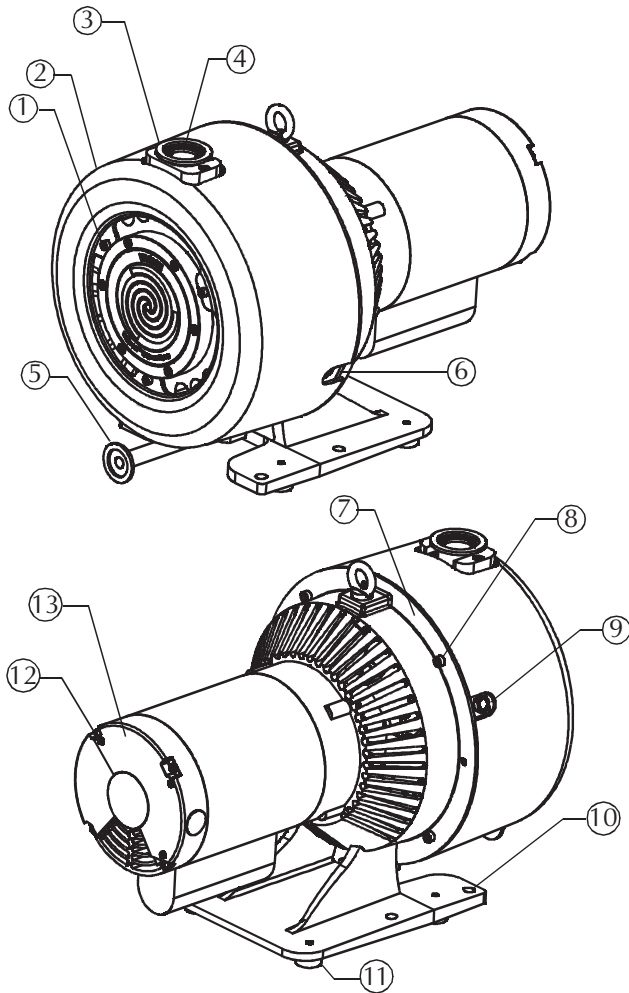


Figure 2 Pumping Speed Curves

TriScroll 600 Series Vacuum Pump



1. Cowling Screws; M5 (3)
2. Cowling
3. Inlet (NW40)
4. Inlet Screen
5. NW25 Exhaust Adapter
6. Bearing Purge Port (1/4" National Pipe Thread)
7. Pump Frame
8. Frame Screws; M6 (4)
9. Gas Ballast Port (1/4" National Pipe Thread)
10. Mounting Holes; 11 mm diameter thru (8)
11. Rubber Feet (4)
12. Motor Cover Screws (3)
13. Motor Electrical Cover

**Figure 3 TriScroll 600 Series Vacuum Pump
(Single Phase Pump Shown)**