

2 TECHNICAL DATA

2.1 ITO Inlet Catchpot

	ITO20K	ITO100	ITO300	ITO800
Dimensions	Figure 3	Figure 4	Figure 4	Figure 4
Flange size (inlet and outlet)	NW25	ISO40	ISO63	ISO100
Mass (kg)	3.2	6.8	8.0	19.5
Capacity (litres)	1.84	5.47	7.87	9.50

Figure 3 - Dimensions of IT20K inlet trap (mm)

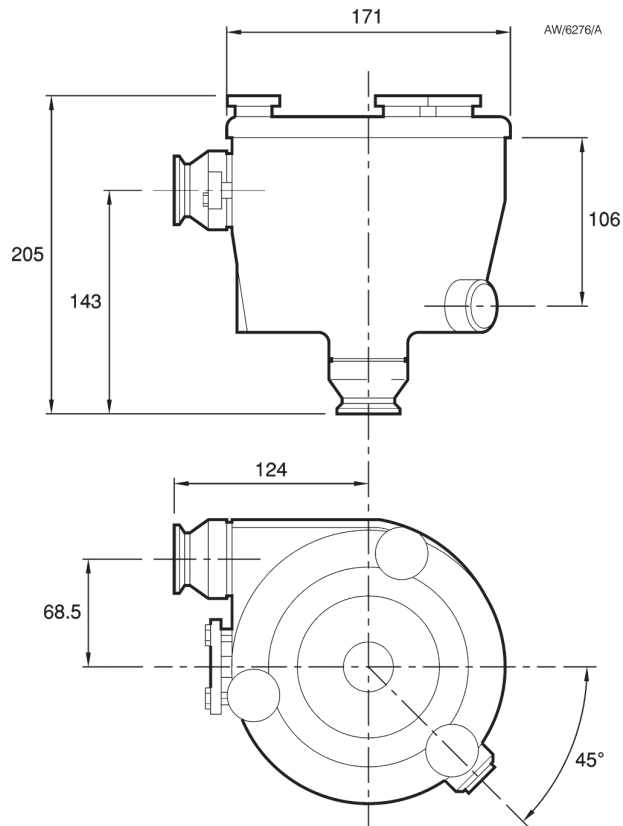


Figure 4 - Dimensions of IT20K inlet trap (mm)

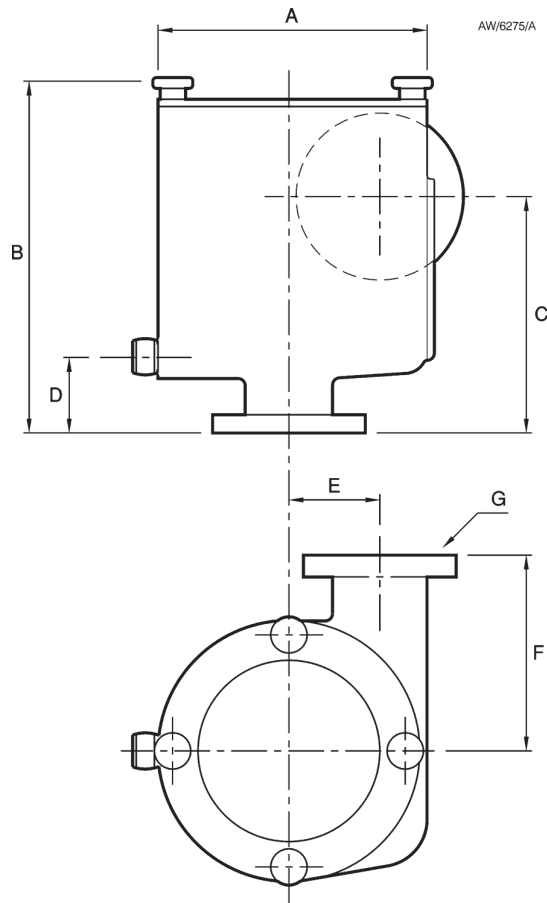


Figure Key	A	B	C	D	E	F	G
IT100	227	251	182	62	92	145	ISO40
IT300	227	308	210	62	80	165	ISO80
IT800	285	456	315	81	97	200	ISO100

2.2 ITC Inlet Chemical Trap

	ITC20K	ITC100	ITC300	ITC800
Dimensions	Figure 3	Figure 4	Figure 4	Figure 4
Flange size (inlet and outlet)	NW25	ISO40	ISO63	ISO100
Mass (kg)				
Trap-body (kg)	3.5	7.5	9.0	21.0
Charge (kg)*	0.4	0.75	1.1	3.3
Charge material	Activated charcoal or activated alumina			

* Mass of charge is given for activated charcoal